

Advisory Bulletin



BUILDING VALUE SINCE 1906
BOBRICK.COM

TB-110 3/8" Stainless Steel Wedge Anchor for Floor-Anchored Toilet Partitions (Except series 1542, 1552, & 1532)

Bobrick 3/8" (10mm) diameter stainless steel wedge floor anchor includes expansion shields and a threaded rod. The expansion shields require minimum 2" (50mm) deep hole penetration into minimum 3" (75mm) thick structural concrete. This anchor is made of 303 stainless steel to prevent rusting when wedge anchor is installed in wet environments.

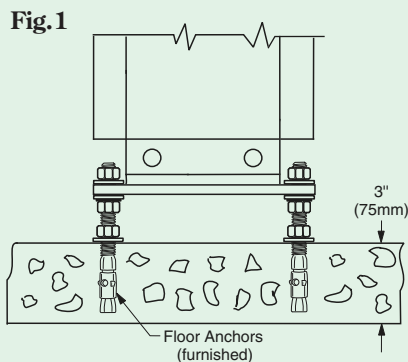
Specification:

Bit Size:	3/8"
Minimum Embedment:	1-5/8"
Threaded Length:	2-3/4"
Thread Type:	3/8"-16
2000 PSI Concrete Pull-Out (lbs):	1631
2001 PSI Concrete Shear (lbs):	4318
Application:	Concrete
Environment:	Wet
Material:	303 Stainless Steel
Length:	4-3/8"
Minimum Edge Distance:	1-7/8"
Maximum Fixture Thickness:	1-1/4"
Minimum Fixture Hole Diameter (In Place):	1/2"
Minimum Fixture Hole Diameter (Hole Spotted):	3/8"
Maximum Torque:	25ft./lbs.
Wrench Size:	9/16"



Finished Detail of Floor Anchor

Wedge anchors are furnished by Bobrick for the use of anchoring the leveling bar that is attached to the Stile to provide the structural needs of the partition system and for leveling purposes. **Fig.1.** Bobrick's anchoring system must be installed as indicated in the installation instructions. **Fig.2.** It is not necessary to meet the maximum torque for this type of application.



**Structural Concrete Floor
3" (76mm) Thick or More**

