

Advisory Bulletin



BUILDING VALUE SINCE 1906

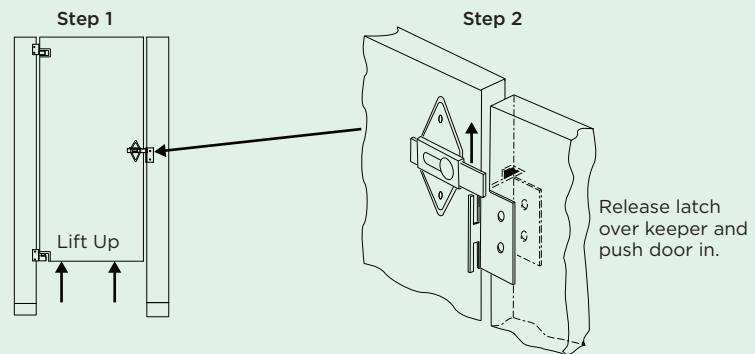
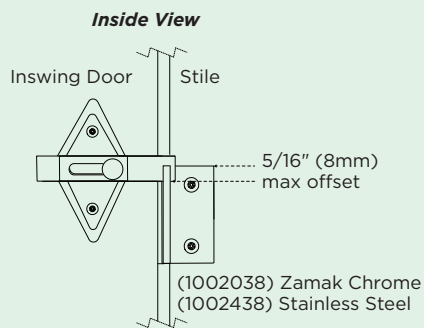
TB-113 Partitions Hardware with Emergency Access

Traditional Partitions:

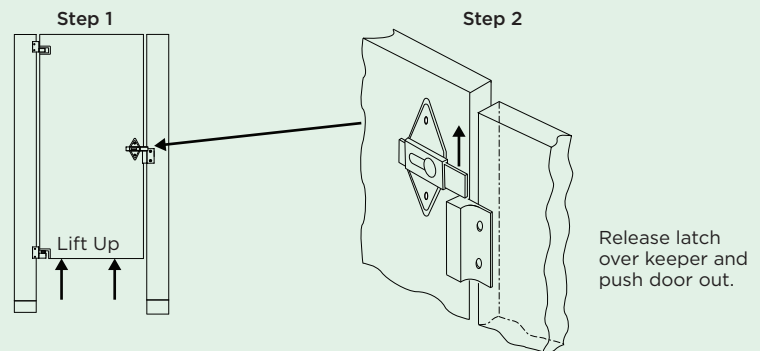
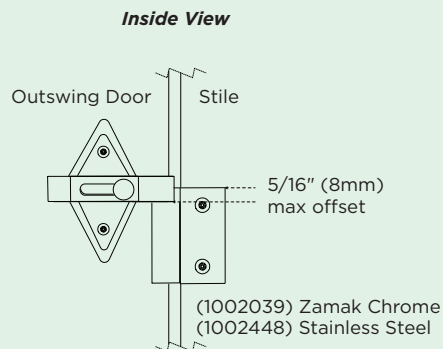
Budget HPL Series

Emergency Access: Latch allows door to be opened from outside of compartment by lifting bottom of the door to release the latch over the keeper.

Standard Inswing Keeper



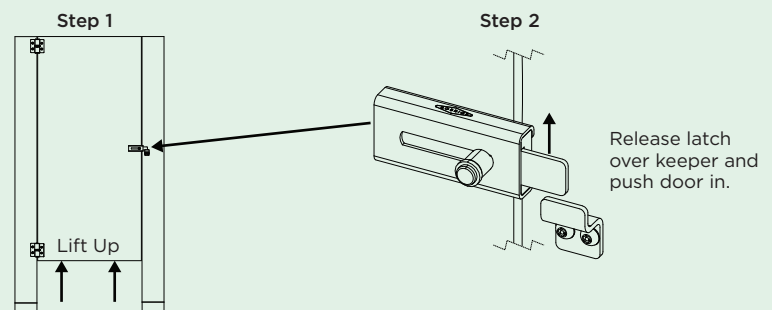
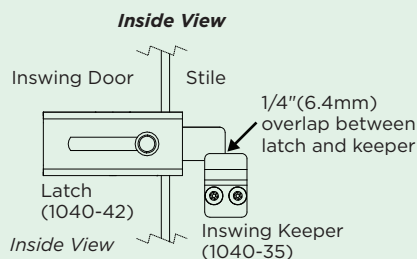
Standard Outswing Keeper



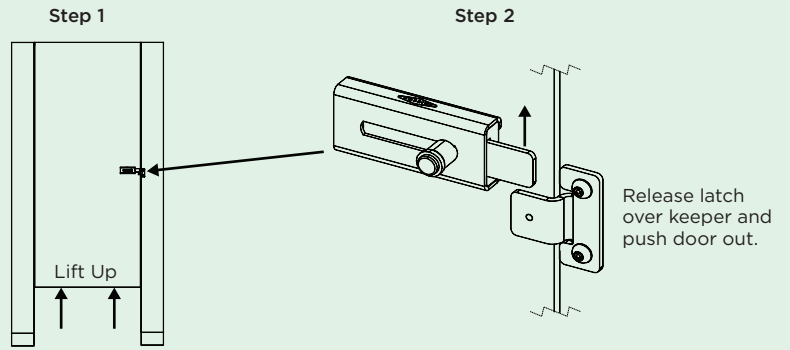
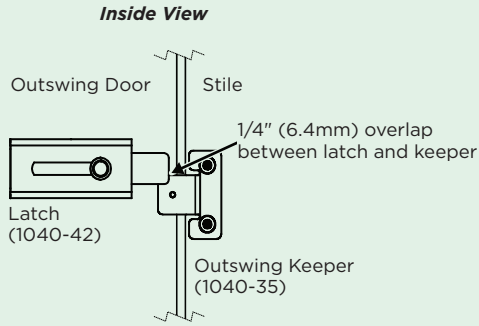
Traditional Partitions:

DuraLineSeries® CGL SierraSeries® SCRC DesignerSeries™ HPL TrimLineSeries™ HPL

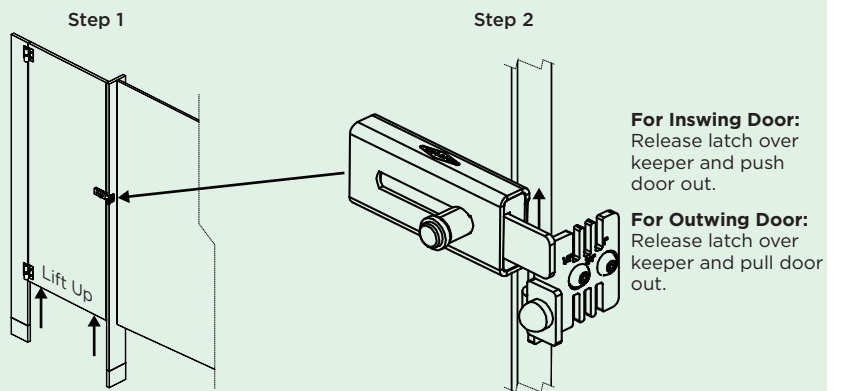
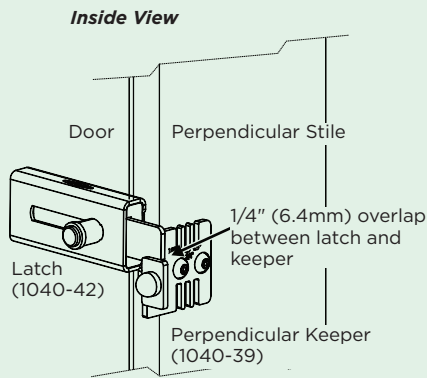
Emergency Access: Latch allows door to be opened from outside of compartment by lifting bottom of the door to release the latch over the keeper.



Standard Outswing Keeper



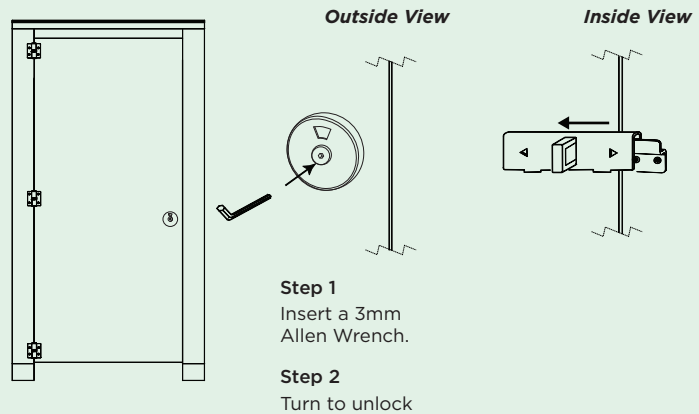
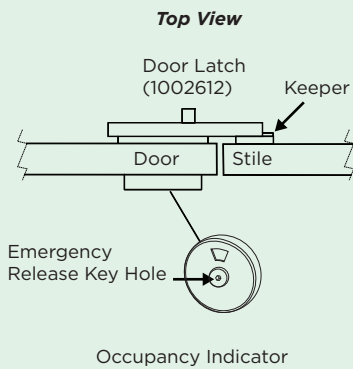
Perpendicular Keeper



Traditional Partitions:

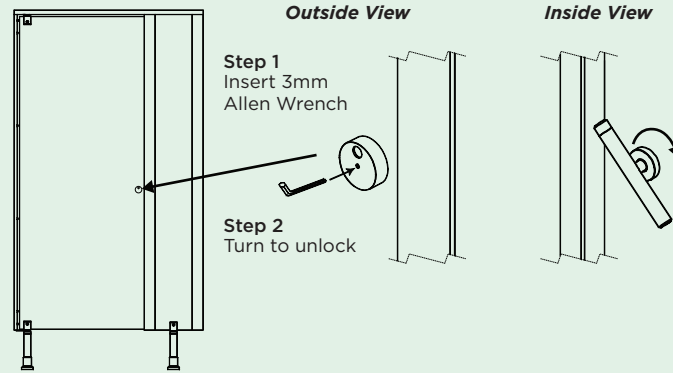
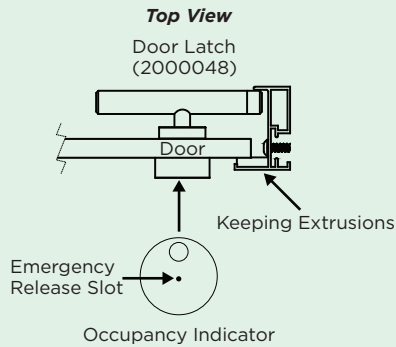
Occupancy Indicator Latch

Emergency Access: The latch allows the door to be opened from the exterior of the toilet compartment by inserting a 3mm Allen key into the keyhole in the center of the cover plate and turning the key to release the latch.



Evolve Cubicles

Emergency Access: Latch allows door to be opened from outside of compartment by inserting a 3mm Allen Wrench into the emergency release slot, then turn to unlock.



PRIVADA Cubicles

Emergency Access: Latch allows door to be opened from outside of compartment by inserting a 3mm Allen Wrench into the emergency release slot, then turn to unlock.

